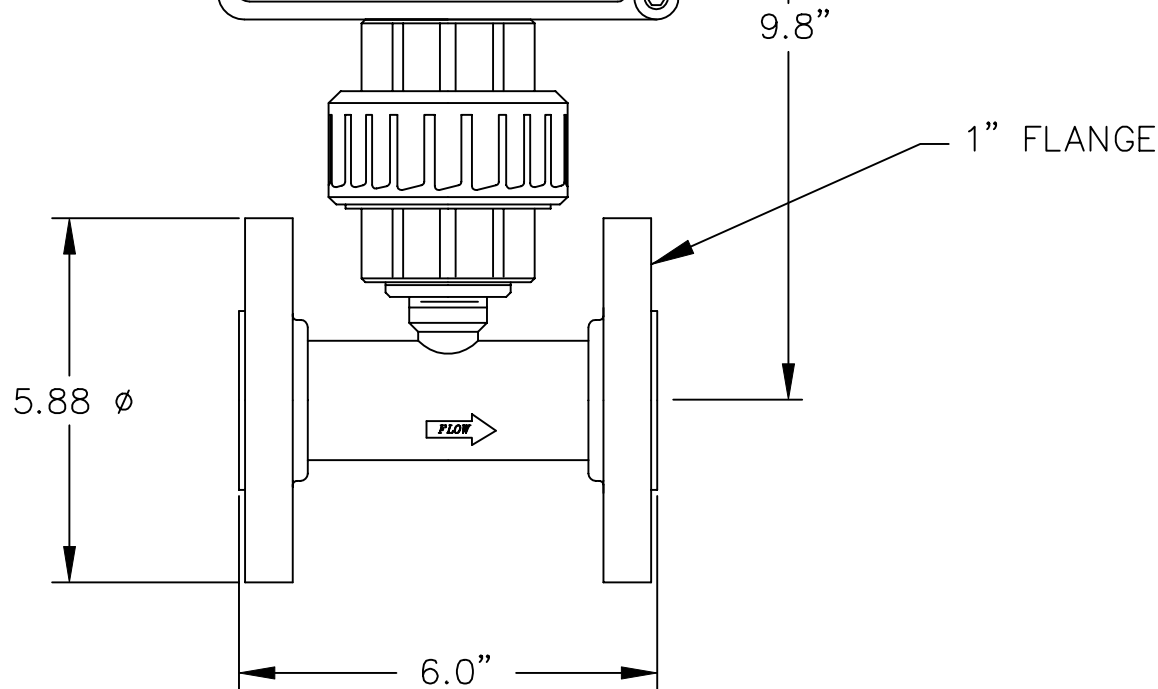


MODEL NUMBER

- 3/8" TM0038-F900 / F1500
- 1/2" TM0050-F900 / F1500
- 3/4" TM0075-F900 / F1500
- 7/8" TM0078-F900 / F1500
- 1" TM0100-F900 / F1500



MATERIAL

UNLESS OTHERWISE SPECIFIED

ALL DIM IN INCHES
 ANGULAR TOL $\pm 1/2^\circ$
 FRACTIONAL TOL $\pm 1/64$
 3 PLACE DEC ± 0.005
 2 PLACE DEC ± 0.010

REMOVE ALL BURRS
 BREAK SHARP EDGES

DO NOT SCALE DWG

THIS DRAWING IN DESIGN AND
 DETAIL IS THE PROPERTY OF
 TURBINES, INCORPORATED
 IT SHALL NOT BE REPRODUCED
 AND SHALL BE RETURNED TO
 US ON DEMAND

ALL RIGHTS RESERVED

DRN **Jack Harshman**

APPVD **Jack Harshman**



Hwy 283 North P.O.Box 933
 Altus, Oklahoma U.S.A.

TITLE

**3/8, 1/2, 3/4, 7/8, & 1"
 900 & 1500# FLANGED
 TURBINE METER**

A

DWG NO.

10791-01

REV
 A

SCALE NONE

DATE 7/24/01

SHEET 1 OF 1